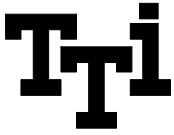


Solid State Relay



SAA

AC Control AC

MAIN FEATURES

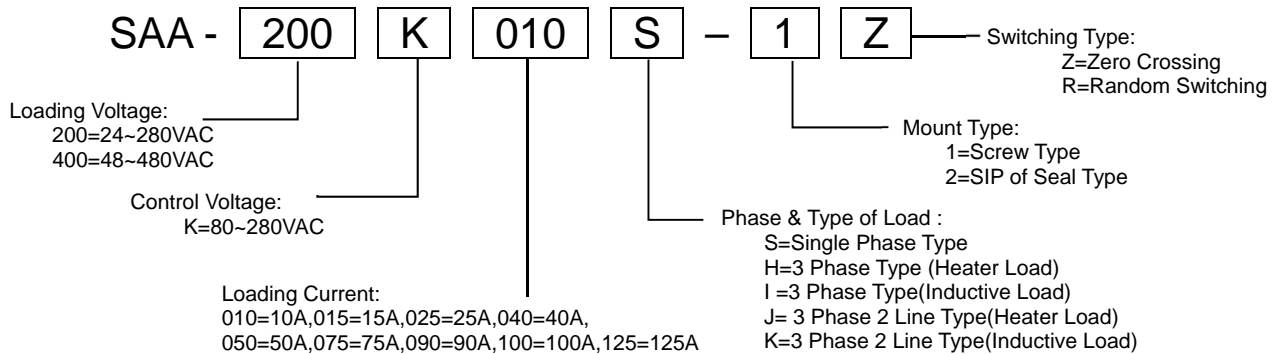
- AC Voltage Drive AC loading SSR
- High Stable Reliability
- Non Switching Sparks
- Non Noise
- Non Mechanical Contact
- Low control Power Consumption
- High Speed Reaction

APPLICATIONS

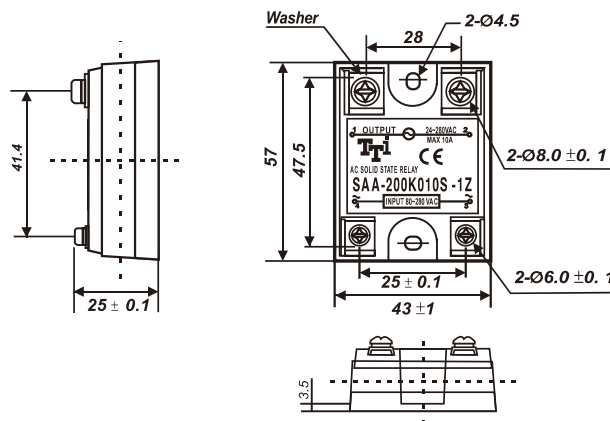
- Industrial Control Systems
- Lighting Systems
- Vending Machines
- Production Systems
- Temperature Control Systems
- Electronics Home Appliances
- Medical Equipment
- Conveying Systems



ORDERING INFORMATION



OUTLINE DIMENSION (unit:mm)

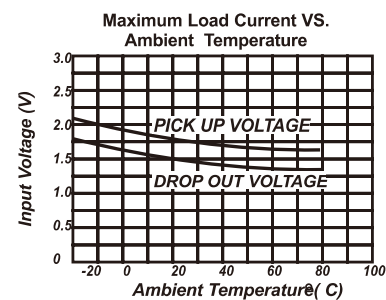
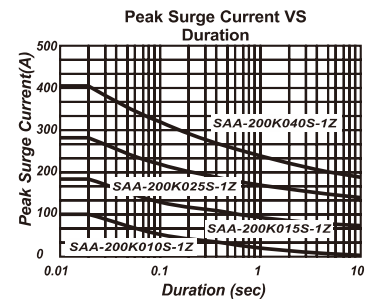
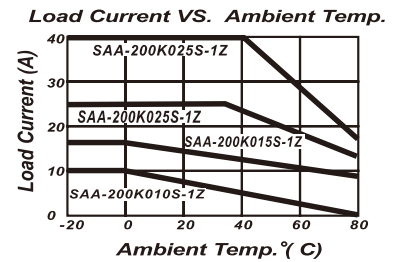
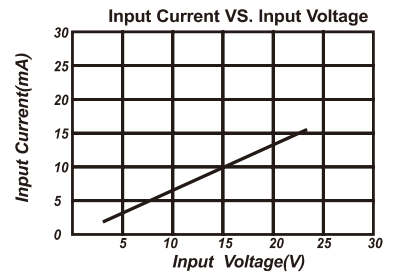


Solid State Relay

SPECIFICATIONS

MODEL NO.	SAA-200K010S-1Z / R	SAA-400K010S-1Z / R	
	SAA-200K015S-1 / R	SAA-400K015S-1Z / R	
	SAA-200K025S-1Z / R	SAA-400K025S-1Z / R	
	SAA-200K040S-1Z / R	SAA-400K040S-1Z / R	
	SAA-200K050S-1Z / R	SAA-400K050S-1Z / R	
	SAA-200K075S-1Z / R	SAA-400K075S-1Z / R	
	SAA-200K090S-1Z / R	SAA-400K090S-1Z / R	
	SAA-200K100S-1Z / R	SAA-400K100S-1Z / R	
	SAA-200K125S-1Z / R	SAA-400K125S-1Z / R	
MOUNT TYPE		Screw Type	
PHASE		Single Phase	
TYPE OF LOAD		Z= Heater load / R= Inductive load	
INPUT	Control Voltage Range	80~280VAC	
	Must Turn Off Voltage	MAX. 10VAC	
	Input Impedance	1.5 K Ω	
OUTPUT	Max. Load Current	10A, 15A, 25A, 40A, 50A, 75A, 90A, 100A, 125A	
	Load Voltage Range	24~280VAC	48~480VAC
	Min. Blocking Voltage	600VAC peak	1200VAC peak
	Max. Off-State Leakage	Less 3mA	Less 5mA
	Max.1 cycle Peak Surge	100A, 150A, 250A, 400A, 500A, 750A, 900A, 1000A, 1250A	
	Max. Off State dv/dt	500V/ μ sec	1000V/ μ sec
GENERAL RATING	Isolate Impedance	1G Ω	
	Dielectric Strength	Input-Output	4000VAC RMS
		Input , Output-Case	4000VAC RMS
	Turn On Time	Less 2 ms	
	Turn Off Time	Less 0.5AC Cycle	
	Frequency Range	47~70Hz	
	Operating Temperature	-20~+80 $^{\circ}$ C	
	Switching Type	Zero Crossing / Random Switching	
	Weight (g)	100g	
Compliance	CE , RoHS		

CHARACTERISTIC CURVES



EQUIVALENT CIRCUIT

